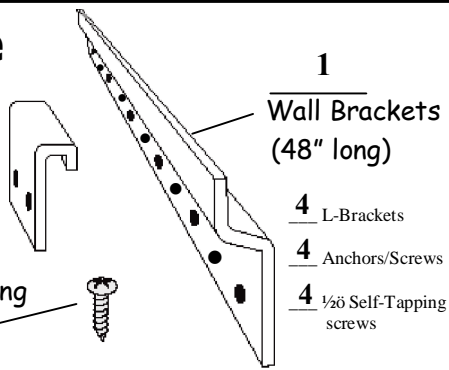


Hardware Provided:

2 J-Brackets
12 Self-Tapping Screws



CARADA

PROJECTION SCREENS

MMS SERIES

Assembly & Installation Instructions

Step 1: Frame Assembly

- A.** Remove the four aluminum frame members from the shipping box. Leave the screen surface rolled up. Inspect the frame members and other contents for shipping damage. If there is any damage, please notify us immediately at support@carada.com.
- B.** Protect the frame from dirt and abrasion by spreading it out on a smooth, clean surface. Lay the frame members down with the snaps facing up.
- C.** Slide the end of each SIDE member marked with a "T" over the corner brackets of the TOP frame member (also marked with a "T") and attached with the provided black screws (see Fig. A).
- D.** Slide the bottom corner brackets (pre-assembled to the bottom frame member) into the SIDE frame members and attach the black screws
- E. IMPORTANT!** Tighten the four corner snaps down snugly against the frame after assembly.

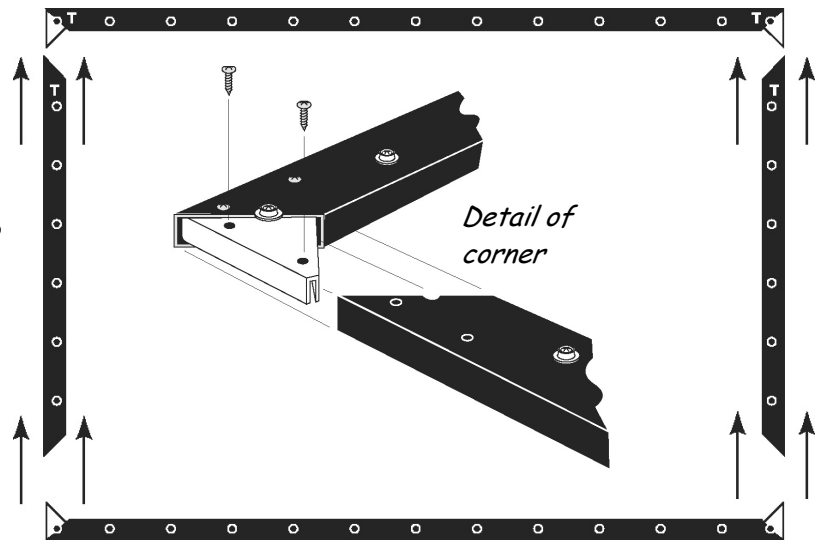


Fig. A

❖ When handling the assembled frame, pick it up by the center of a frame member and avoid twisting the frame, to prevent undue stress on the corner brackets and frame members.

- F.** Locate the pre-drilled holes on the rear of the frame (the opposite side from the snaps) and attach the J-Brackets to the frame with two black self-tapping screws each.

❖ The MMS Series frame will use 2 J-Brackets for support until the L-brackets are installed (Step 4, Part B) and the Masquerade is installed around the screen.

Step 2: Wall Bracket Installation

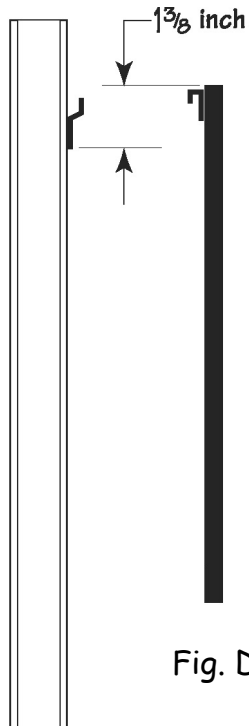


Fig. D

- A.** First you must determine where the top of the MASQUERADE MASKING SYSTEM will be located. Remember that there must be a minimum $\frac{3}{4}$ " clearance above the MASQUERADE for installation. Now that you have determined where the top of the MASQUERADE frame will be located, measure down $1\frac{5}{8}$ " and make a mark on the wall. This is where the *bottom* of the MASQUERADE wall bracket will be placed.
- B.** Now from the mark made in step A, measure down $3\frac{1}{8}$ " and make a second mark on the wall. This lower mark is where the *bottom* of the MMS SCREEN wall bracket will be placed.
- C.** Along those marked lines, locate the studs in the wall and mark where they are. The brackets have slotted holes 4" apart so you should be able to align the bracket with the studs whether your studs are on 16" or 24" centers. When placing each bracket, center it horizontally, then move the bracket left or right as necessary to line the holes up with the studs in your wall.
- D.** Find any high or low spots on your wall by holding a bracket horizontally on its top or bottom edge perpendicular to the wall using it as a straight edge. Mark the high spot(s) with a pencil. Then attach the bracket to the wall directly over the two highest spots (or in the middle if there is only one hump protruding outward on your wall). To compensate for this irregular surface, use the included plastic shims to fill in the low-spots behind the bracket to compensate for that. Use the appropriate shim thickness to keep the bracket flat but firmly secured to the wall. Shims of different thicknesses can be combined if necessary to fill low spots.
- E.** Finally, finish attaching both brackets to the wall with the supplied wood screws (for other wall-types, please choose an appropriate fastener). Place the screws (or other fastener) in the center of the slot in the bracket so that you can make minor vertical adjustments if necessary.

Step 3: Screen Attachment

- B.** Unroll the screen onto a clean surface. Do not unroll onto newspaper or any surface with an abrasive finish. The viewing surface is on the inside of the roll when it is packed.
- C.** Carefully place the screen over the frame. Place the corners marked with a "T" on the corresponding frame corners (also marked with a "T"). Start by snapping one corner snap. Then work your way around the frame in either direction.

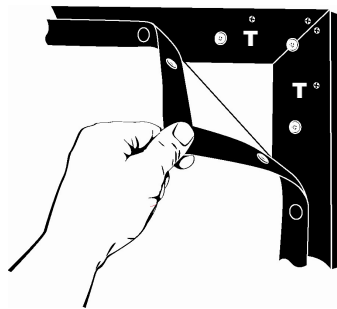


Fig. E

Step 4: Install to the Wall

- A.** Hang the screen on the wall by engaging the J-Brackets over the extended edge of the wall bracket. (see Fig. F)
- B.** Use the supplied L-brackets and sheetrock anchors to space the frame away from the wall. Loosely screw the L-brackets to the screen frame in the pre-drilled holes with self-tapping screws. Hold the bracket to the wall and mark the hole. Install the sheetrock anchor (if required) and screw the bracket to the anchor (wall). Now tighten the L-bracket to the frame.

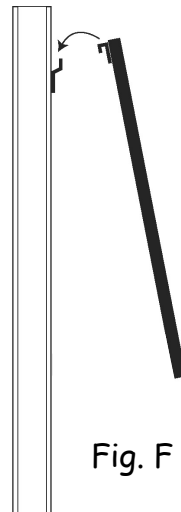


Fig. F

You are now ready to go back to your Masquerade Installation Instructions - Part 1, Step 3

CARADA

PROJECTION SCREENS

www.carada.com • support@carada.com