

Hardware Provided

- 4 – 18" x 2" x 5/8" boards
- 8 – #8 x 1.5" wood screws (for mounting wood to wall)
- 1 – 11/64" drill bit (to drill alum. frame)
- 8 – #8 x 1.5" pan head screws (for mounting alum. frame to wood)
- 8 – black self tapping screws (for corner brackets)
- 1 – extra self tapping snap



PROJECTION SCREENS

MMS CIH SERIES

Assembly & Installation Instructions

Step 1: Frame Assembly

- A. Remove the four aluminum frame members from the shipping box. Leave the screen surface rolled up. Inspect the frame members and other contents for shipping damage. If there is any damage, please notify us immediately at support@carada.com.
- B. Protect the frame from dirt and abrasion by spreading it out on a smooth, clean surface. Lay the frame members down with the snaps facing up.
- C. Slide the end of each SIDE member, marked with a "T" over the corner brackets of the TOP frame member (also marked with a "T") and attach with the provided black screws (see Fig. A).
- D. Slide the bottom corner brackets (pre-assembled to the bottom frame member) into the SIDE frame members and attach with the black screws.

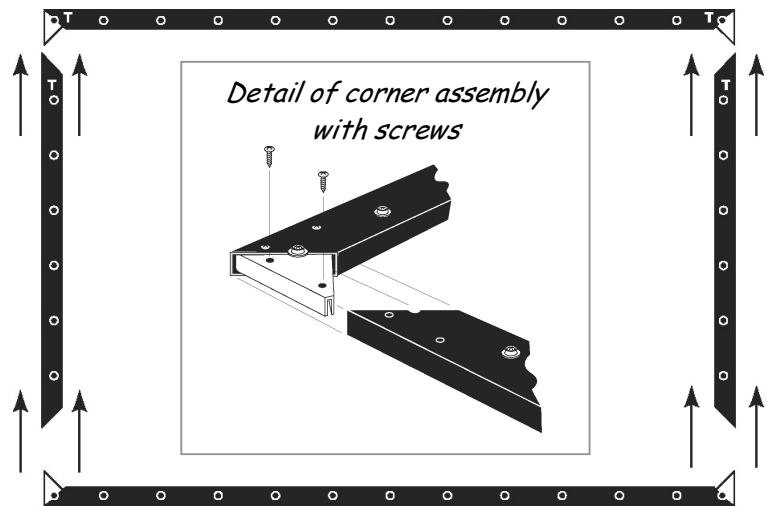


Figure A

❖ **IMPORTANT!** Tighten the four corner snaps down snugly against the frame after assembly.

❖ When handling the assembled frame, pick it up by the center of a frame member and avoid twisting the frame, to prevent undue stress on the corner brackets and frame members.

Step 2: Wood Mounting Block Installation

- A. First you must determine where the top of the MASQUERADE MASKING SYSTEM will be located. Remember that there must be a minimum $\frac{3}{4}$ " clearance above the MASQUERADE for installation. Now that you have determined where the top of the MASQUERADE frame will be located, measure down $1\frac{5}{8}$ " and make a mark on the wall. This is where the *bottom* of the MASQUERADE wall bracket will be placed.
- B. Now from the mark made in step A, measure down $1\frac{5}{16}$ " and make a second mark on the wall. This lower mark is where the *top* of the MMS CIH SCREEN wood mounting blocks (and the screen frame) will be placed. *The end of the wood block will likely NOT be aligned with the wall bracket above it like you see in this photo. The photo is an example only.*



Figure B

Step 2: Wood Mounting Block Installation (continued)

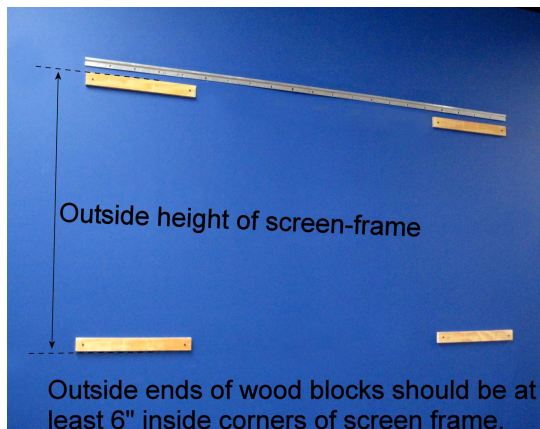


Figure C

- C. From that mark in step B, measure down the full height of the MMS CIH SCREEN frame and make another mark which will be the *bottom* of the lower mounting wood blocks (and the screen frame).
- D. For the MASQUERADE wall bracket, find any high or low spots on your wall by holding the bracket horizontally on its top or bottom edge perpendicular to the wall using it as a straight edge. Mark the high spot(s) with a pencil. Then attach the bracket to the wall directly over the two highest spots (or in the middle if there is only one hump protruding outward on your wall). To compensate for this irregular surface, use the included plastic shims to fill in the low-spots behind the bracket to compensate for that. Use the appropriate shim thickness to keep the bracket flat but firmly secured to the wall. Shims of different thicknesses can be combined if necessary to fill low spots.
- E. Finish attaching the MASQUERADE wall bracket to the wall with the supplied wood screws (for other wall-types, please choose an appropriate fastener). Place the screws (or other fastener) in the center of the slot in the bracket so that you can make minor vertical adjustments if necessary.
- F. Mount the wood mounting blocks to wall studs with 8 #8 x 1.5" wood screws, starting the wood blocks approximately 6" from the outside edge of the MMS CIH SCREEN frame. [you should be able to screw into studs that are on standard 16" centers. Otherwise use sheetrock anchors or other appropriate mounting hardware for your wall type.] *The end of the wood block will likely NOT be aligned with the wall bracket above it like you see in this photo. The photo is an example only.*
- G. Use the provided 11/64" drill bit to drill through the aluminum frame's horizontal members to make a hole that is between 6" and 24" from the outside edge of the frame. Typically the holes will fall between the fourth and fifth snap on the horizontal frame member (including the corner snap). But this can vary depending on the size of the screen and the placement of the wood mounting blocks to align with studs in step D.
- H. Attach the frame to the wood mounting blocks using 8 - #8 x 1.5" pan head screws.

Step 3: Screen Attachment

- A. Unroll the screen onto a clean surface. Do not unroll onto newspaper or any surface with an abrasive finish. The viewing surface is on the inside of the roll when it is packed.
- B. Carefully place the screen over the frame. Place the corners marked with a "T" on the corresponding frame corners (also marked with a "T"). Start by snapping one corner snap. Then work your way around the frame in either direction.

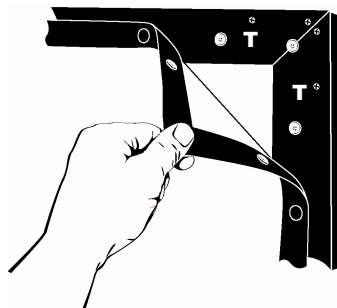


Figure D



Figure E

Step 4: Return to MASQUERADE CIH Installation

*You are now ready to go back
to your Masquerade Installation
Instructions - Part 1, Step 3*



PROJECTION SCREENS

www.carada.com • support@carada.com